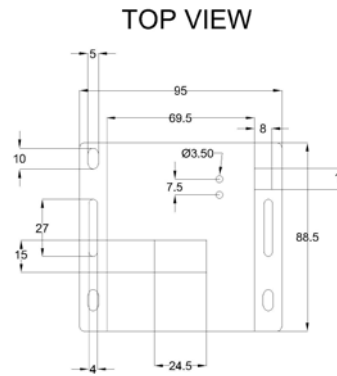
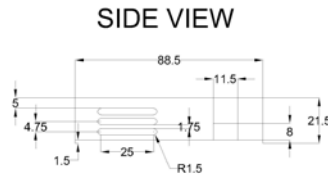




## SensorGateway (BASE-WIRED)



### General Description

The Sensor Gateway is a stand alone IP based temperature sensor with built in alerting features and serves as the base unit for our solution.

### Key Features

- Onboard temperature sensor.
- Built-in web server.
- Alerting via email, voice call or SMS.
- Industrial protocols: SNMP and Modbus TCP
- Web API protocols: JSON and XML.
- DHCP or static IP.
- PoE built-in, optional AC adapter or USB power adapters.
- Ultra low power usage (< 0.5W).
- Runs locally
- no Internet connectivity required to operate.
- Stand-alone device: no software needed.
- Fully responsive web interface for desktop, tablet or smart phone.
- User configurable firewall for enhanced security.
- Industrial grade: UL Listed, FCC and CE certified.

### Technical Specifications

TCP/IP:	IPv4 at 10/100 Mbps.
Power Source:	PoE: IEEE 802.3af or BASE-PWR (Optional AC power adapter) or BASE-PWR-USB (USB power adapter)
Power Usage:	1500mW (without sensors attached).
Network Data Transfer	SNMP GET (50 - 130 bytes) , SNMP Trap (143 - 280 bytes)
Built-in:	web server, SNMP v1, v2 & v3 (MD5/AES), Modbus TCP.
Built-in alerting options:	Email, SMS (over IP) & SNMP Traps.
External sensors probes:	2 sensor probes through straight RJ45 CAT6/7 cable with max distance of 100m or 330ft (subject to cable quality and interference).
Max distance to switch:	CAT6/CAT7 up to 100m / 300ft.

### Built-in Temperature Monitoring Sensor Specifications

Temperature Resolution:	0.1°C / 0.18°F
Temperature Reading:	"-55°C to +125°C (-67°F to +257°F) / SensorGateway operates up to 75°C / 167°F
Temperature Accuracy:	+/- 1°C (+/- 2°F) over 0°C to +75°C / 32°F to 167°F.

### Environmental and Physical Specification

Operating temperature range	0°C to +75°C (+167°F).
Humidity (operating and storage)	< 90% rH (non-condensating).
Dimensions	70 mm (2.7") x 88 mm (3.4") x 22 mm (0.8").
Weight	0.21 kg (0.46 lbs.)