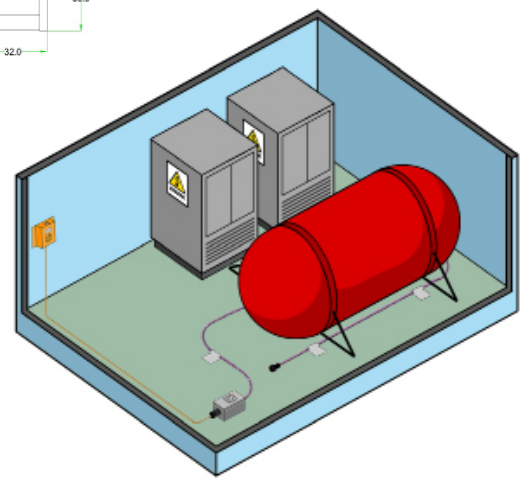
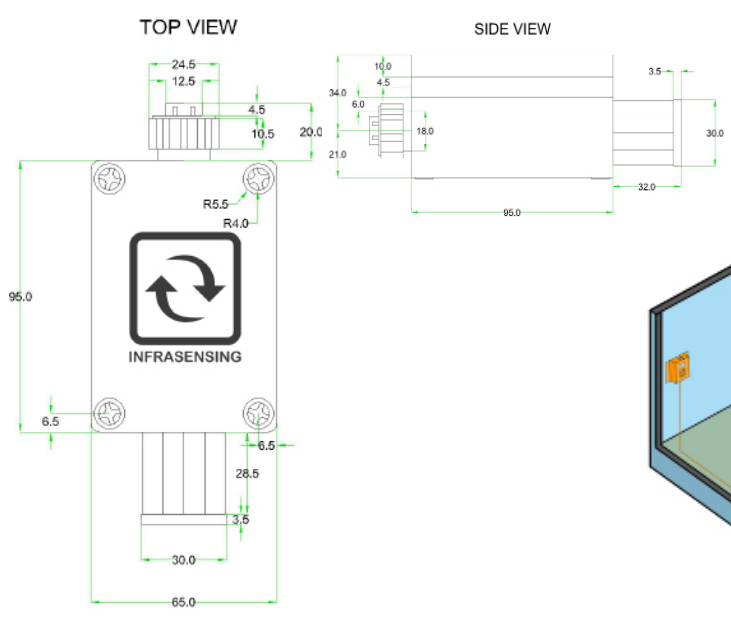




## Industrial Fuel Leak Sensor (ENV-FLEAK-COMBO)



### General Description

Low cost sensor for monitoring fuel leaks 24x7 from fuel tanks for generators or fuel pipes. The fuel leak sensing cable may be used in Class I, Division 2, Groups A, B, C, D Hazardous Locations. If wiring from module meets requirements for intrinsic safety, sensing cable may be used in Class I, Division 1, Groups A, B, C, D Hazardous Locations (Zone 0 or Zone 1 in Europe). The default cable length is 14ft / 4.5m and can be extended to 100ft / 30 m. The fuel leak sensing cable is designed for single use only.

### Key Features

- plugs into the base unit (BASE-WIRED).
- powered by the base unit (BASE-WIRED).
- Leak Detecting Sensing cable is made in the USA
- alerts via SNMP Traps, email, SMS or voice calls.
- expandable up to 100m/330ft per sensor.
- Sensing cables are approved for installation in ordinary and hazardous areas
- The sensing cables are mechanically strong and resistant to corrosion and abrasion.
- Single use sensing cable
- triggers an alert when fuel touches the cable.
- Can detect fuel types ( #1 diesel fuel , #2 diesel fuel, Gasoline, JP5 jet fuel, JP8 jet fuel and Jet-A jet fuel )

### Technical Specifications

Power Source:	SensorGateway (BASE-WIRED)		
Power Usage	264 mW		
Fuel type / response time at 20°C (68 0°C)	#1 diesel fuel ( 60 minutes )	JP5 jet fuel ( 70 minutes )	
	#2 diesel fuel ( 120 minutes )	JP8 jet fuel ( 50 minutes )	
	Gasoline ( 12 minutes )	Jet-A jet fuel ( 50 minutes )	
Cable breaking strength (including connectors):	70lb / 32kg		
Data Output:	Provides a WET/DRY indication in SensorGateway		

### Environmental and Physical Specification

Operating temperature range	0°C to +75°C (32°F to +167°F)
Sensor Housing Material & RJ45 cable gland protection rating	IP 68
Dimensions	65 mm (2.5") x 95 mm (3.74") x 55 mm (2.16").
Weight	0.57 kgs (1.26 lbs.)