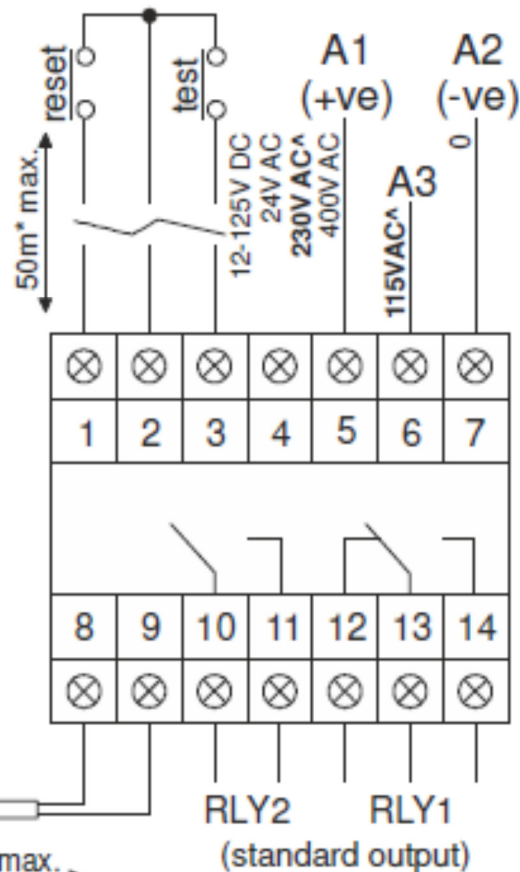
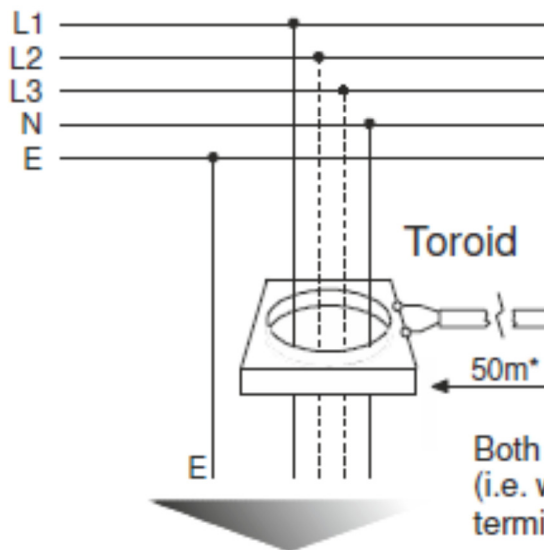


ELRM44V-3/2, V-10/2, V-30/2 Connection Diagram

The Earth **MUST NOT** pass through the Toroid.
 For single phase applications, only the live and neutral need to be passed through the Toroid.

*.Cabling:

For distances >1m, use twisted pair cable between the unit and Toroid.



Both relays are shown in the de-energised state (i.e. where power is not present on the supply terminals).

^ Dual voltage only available as 115/230V AC.
 For 115V AC, connect across 6 and 7.
 For 230V AC (and other voltages), connect across 5 and 7.