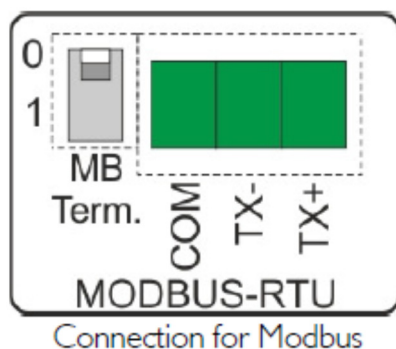


# P9680/C Connection Diagram

At the rear of the P9680C, a 3-way terminal/connector is provided allowing for connection to the Modbus system.

Only 3 terminals are required, COM (Common/GND), TX- (or Data -) and TX+ (or Data +).



## Other standard connections

